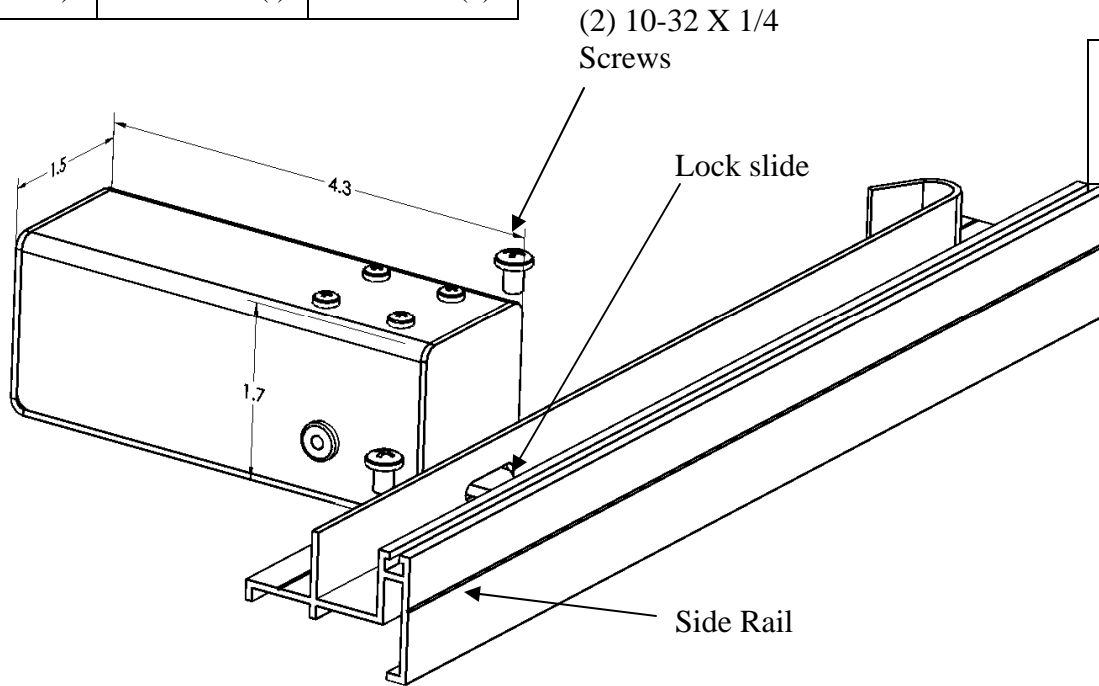


LOCK ACTUATION		
LOCK SLIDE POSITION	RED WIRE	YELLOW WIRE
OUT (LOCKED)	POSITIVE (+)	NEGATIVE (-)
IN (UNLOCKED)	NEGATIVE (-)	POSITIVE (+)

INSTALLATION INSTRUCTIONS
FOR STANDARD & UNIVERSAL
TYPE SIDE RAILS



Part No's: PDL-SU-R-1 (Shown)
PDL-SU-L-1

1. Mount power lock unit using the provided mounting screws and tighten securely.
2. Check to ensure lock slide is centered in the side rail slot – it must move freely and not contact side rail.
3. Connect the wires and actuate to ensure proper lock/unlock orientation. Twelve (12) volts DC, 833 mA at 14.4 Ohms is required to operate power lock.

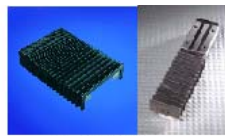
Notes: Allow for clearance to the #10-32 compression nuts installed on side rail. Design allows for internal adjustments possible for better operation. Contact Gortite for information.

To find out about other products made by A&A Mfg. Co., Inc. visit these websites:

www.gortrac.com, www.gortite.com, www.mpcovers.com



Telaflex® Telescopic Covers



Way & Rail Covers



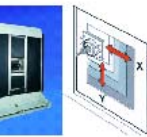
Round Bellows



Way Wipers



Roll-Up Covers



Face Shields



Gortrac® Cable & Hose Carriers



GORTITE®

Division of A&A Mfg. Co., Inc.
2300 South Calhoun Rd.
New Berlin, WI 53151
Telephone: (262) 786-1500
Fax: (262) 786-3280

WWW.GORTITE.COM